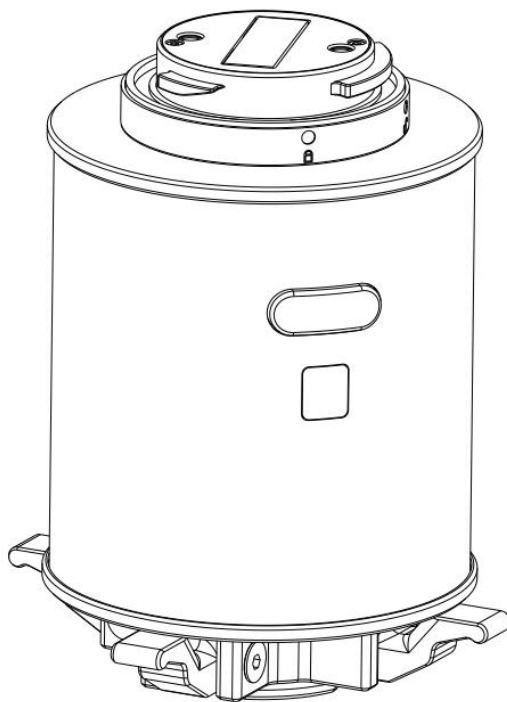


# TH4 V2

## Throwing Hook User Manual

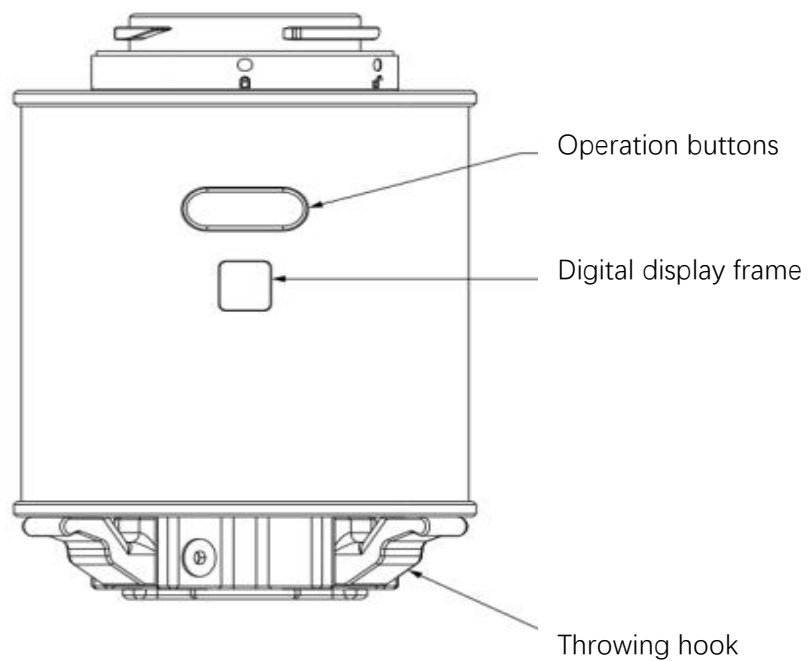
V1.2

2022.02.22



## Introduction of TH4

The TH4 V2 throwing hook has a compact and efficient structure , with the weight of 320g and an ultra-high throwing load of 20kg. It can complete four throwing tasks in a single flight. It can be directly mounted on DJI Matrice series through the DJI SkyPort V2.0 interface. It can be used on M210 V2 and M300 RTK drones, in emergency rescue, material delivery and other works.



## 2. Technical parameters

<b>Model</b>	<b>TH4</b>
Size	Maximum height 97mm (including adapter ring cover), maximum diameter

---

---

	78mm
Weight	310g±5g
Function	<ol style="list-style-type: none"> <li>1. 4 throws can be mounted at the same time or throwing in sequence</li> <li>2. The digital picture tube displays the feeding position</li> <li>3. The maximum load is 20KG, and the maximum load for a single throw hook is 10KG. (The actual load weight is subject to the UAV's load capacity)</li> <li>4. Quick disassemble and assemble</li> </ol>
Operating temperature	-20—40 °C
Mount interface	DJI SkyPort V2 Adapter Ring
Way to control	DJI pilot, Chengzhi CZZN APP floating window control
Control distance	Consistent with aircraft control distance

### 3. Matters needing attention

- 1、 When loading items, please make sure that the throwing hook is fully loaded before pressing the operation button.
- 2、 Be careful not to pinch your hands when operating the casting hook.



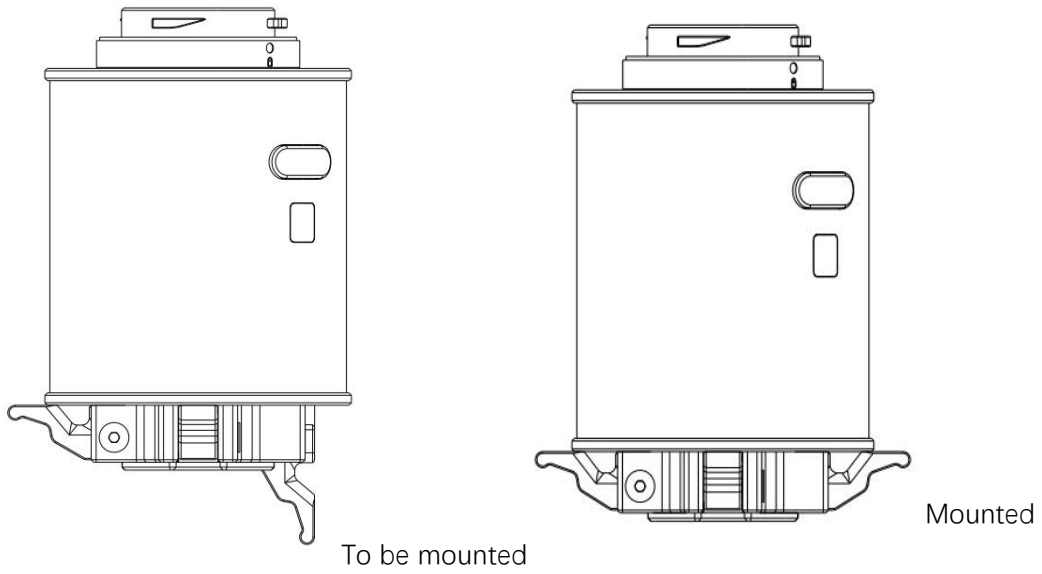
3、 The weight of the items to be mounted should be based on the load-bearing capacity of the aircraft. If an item that exceeds the load-bearing capacity of the gimbal frame's shock-absorbing ball is to be mounted, a cable tie should be installed at the position of the aircraft's gimbal frame's shock-absorbing ball.

## **4. Thrower mounting and software tutorial**

Status symbols and corresponding meanings :

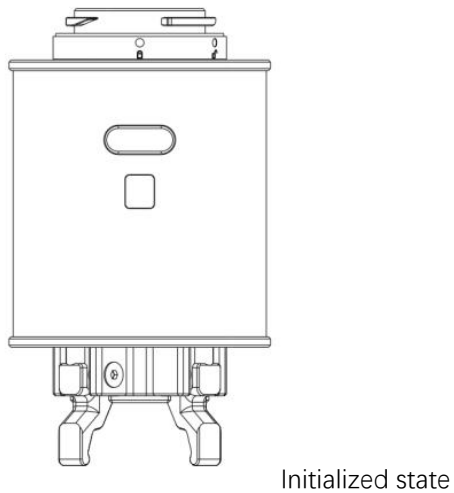
1. The indicator screen flashes and three horizontal lines are displayed: There was an abnormality during the last use, and you need to press and hold the button to initialize.
2. The indicator screen is always on and the number "0" is displayed: None of the 4 hooks are active.
3. The indicator screen is always on and the numbers "1" "2" "3" "4" are displayed: items that can be mounted on the corresponding hook.
4. The indicator screen flashes and displays "E": system error or mechanical transmission stuck.



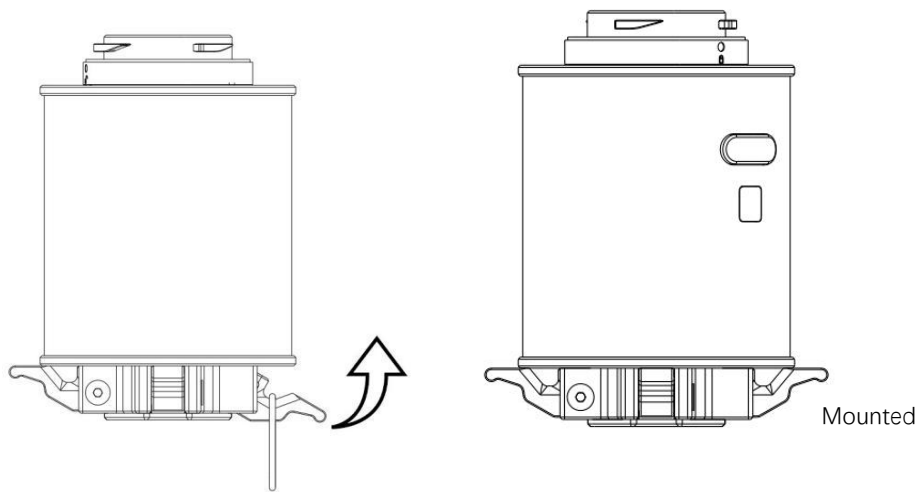


### Mount operation:

1, Reset: After TH4 is powered on and the indicator screen is displayed , press and hold the button for 2 seconds, the indicator screen displays "0" , and the initialization is completed . The status is as follows :



2. Mounting : When the number 1 to 4 is displayed on the indicator screen by pressing the operation button , items can be mounted on the hooks corresponding to the numbers. The item is mounted into the hook groove through the metal ring or the "rope", "wire" and "belt" ring, and the hook is supported by hand to be in the mounted state ( pay attention to the safety of hands ). As shown in the figure below :



2, Press the operation button to lock, when the number on the screen jumps, you can let go to the next mount operation, and up to 4 mounts can be mounted.

**Note:** For the scene that needs to be mounted quickly, there is no need to reset. After power-on, when the number 1 to 4 is displayed on the indicator screen , you can directly mount and lock the items corresponding to the hook .

**For scenarios that need to be mounted in advance, you can mount items**

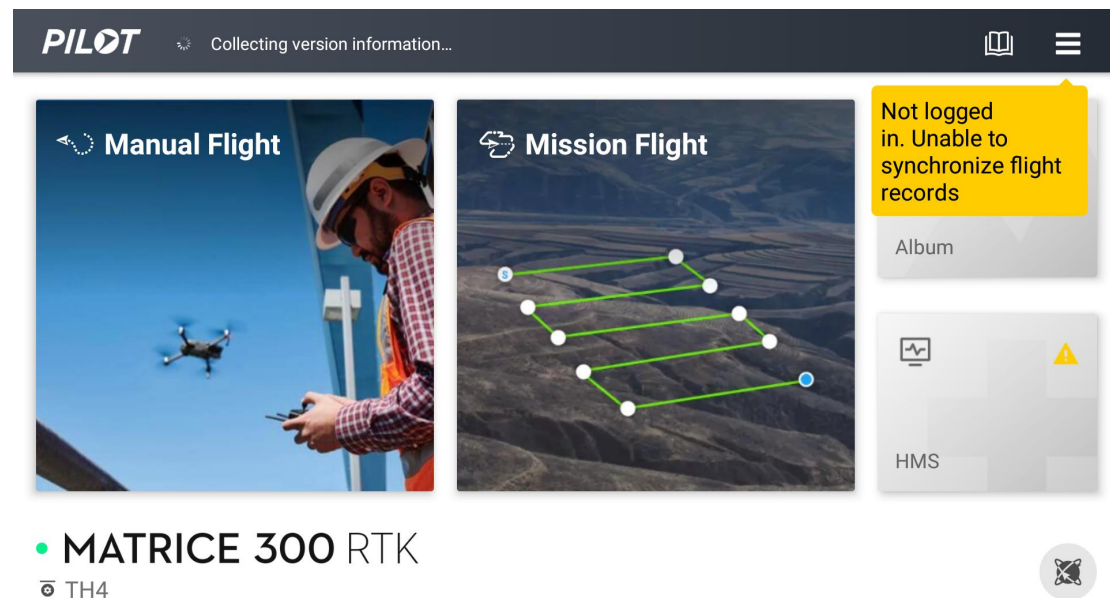
---

---

in advance before the aircraft is powered on and use it in advance. When the aircraft needs to perform a throwing task, directly install the TH4 to take off. After the thrower is started, the throwing can be performed.

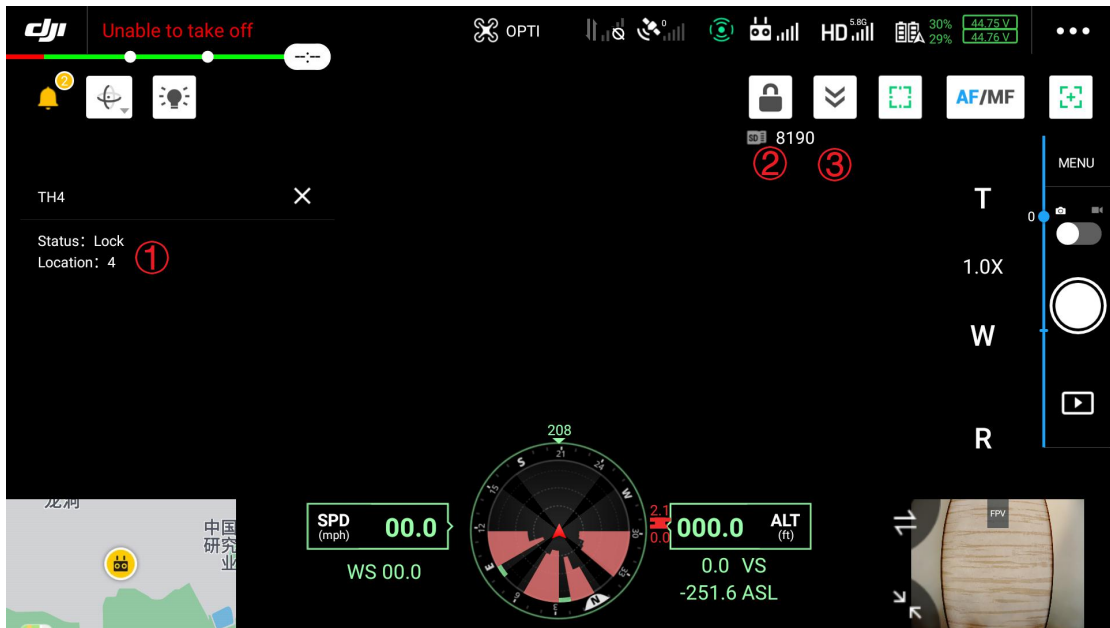
## Pilot software operation

1、 Click DJI Pilot to enter the main interface, the word TH4 is displayed in the lower left corner, indicating that the TH4 load is successfully recognized, click Manual flight to enter the flight interface.



2、 After entering the main interface, click the TH4 area in the lower right corner to switch to the TH4 load interface.



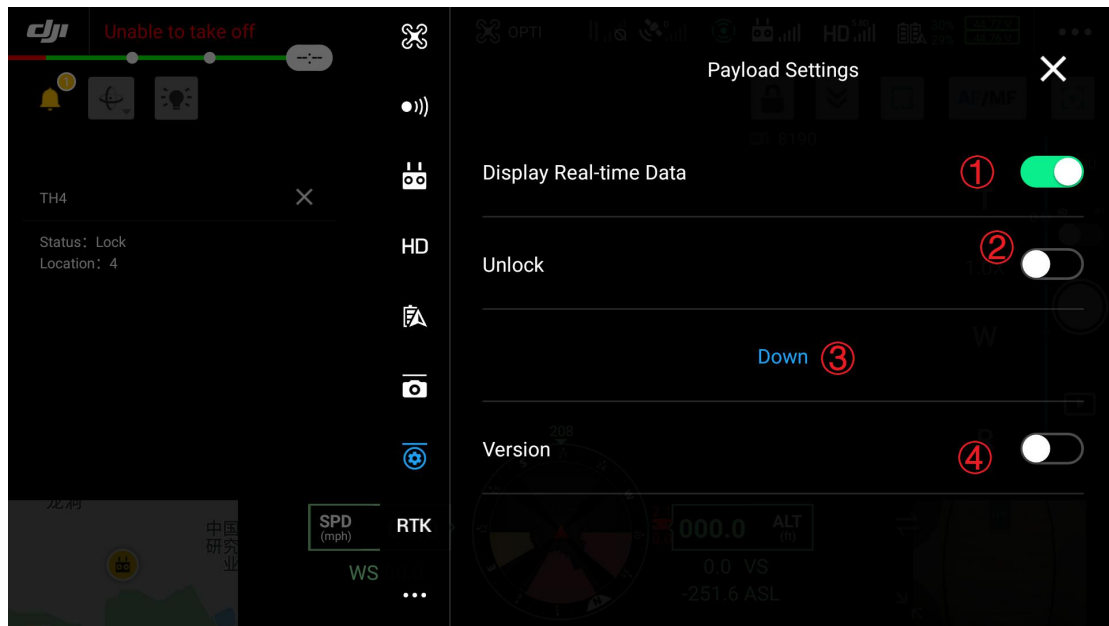


- ① pilot TH4 load information floating window
- ② Unlock/Lock
- ③ throw



3、 After clicking the "unlock/lock" button to unlock, click the "casting" button to make a throw. If you do not throw, you should lock it in time to prevent accidental throwing.

4. You can also click the "Function Menu" button to pop up the function interface,



- ① Open/close the pilot TH4 load information floating window
- ② Unlock/Lock
- ③ throw
- ④ Display the load firmware and SN code information in the floating window of pilot TH4 load information

After clicking the "unlock" switch to unlock, click the "casting" button to start casting. If you do not throw, you should lock it in time to prevent accidental throwing.

---

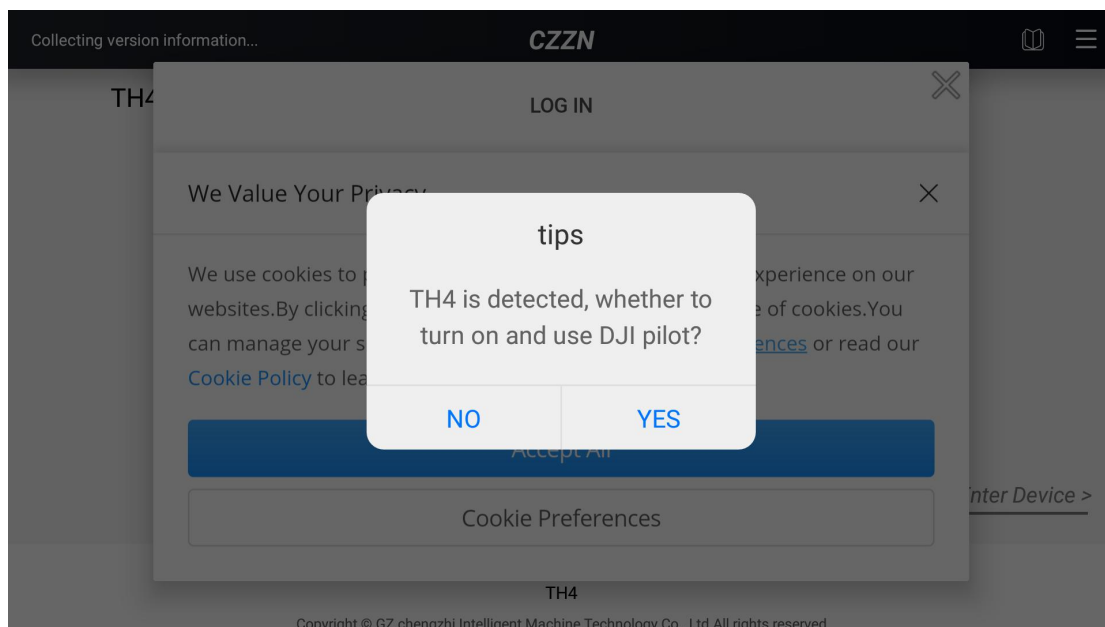
---

## czzn floating window operation

Note: To enable the czzn floating window function, the firmware version needs to be updated to version 29Z.

1、 Open the CZZN software, and after the software recognizes TH4, the option of whether to enable the floating window function will pop up.

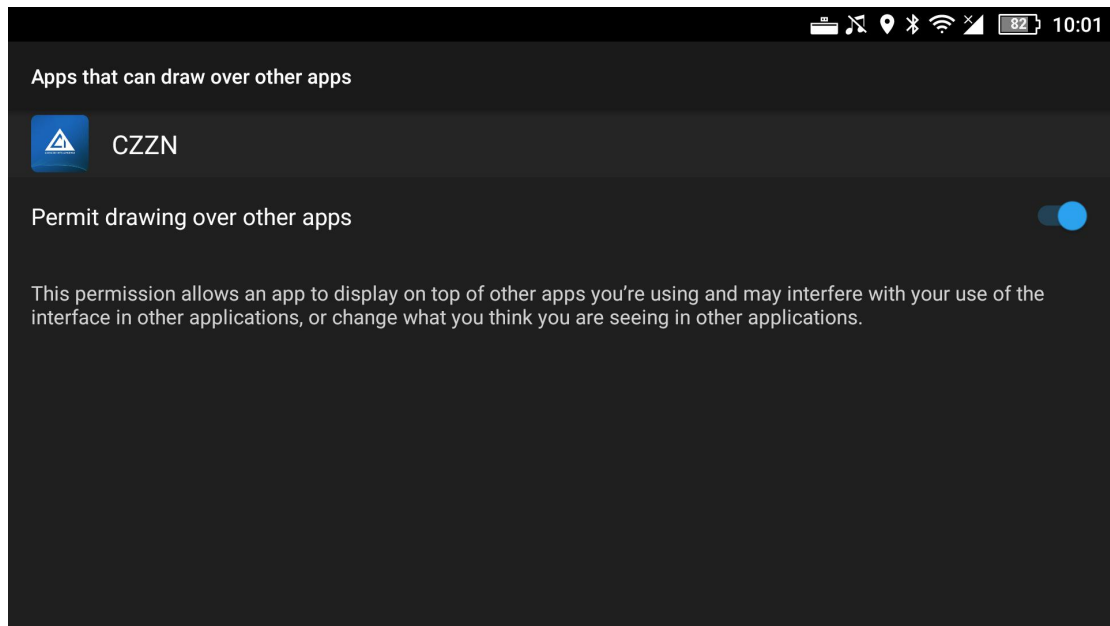
After clicking "Yes", the Pilot software will be opened and the screen will appear as a floating window icon.



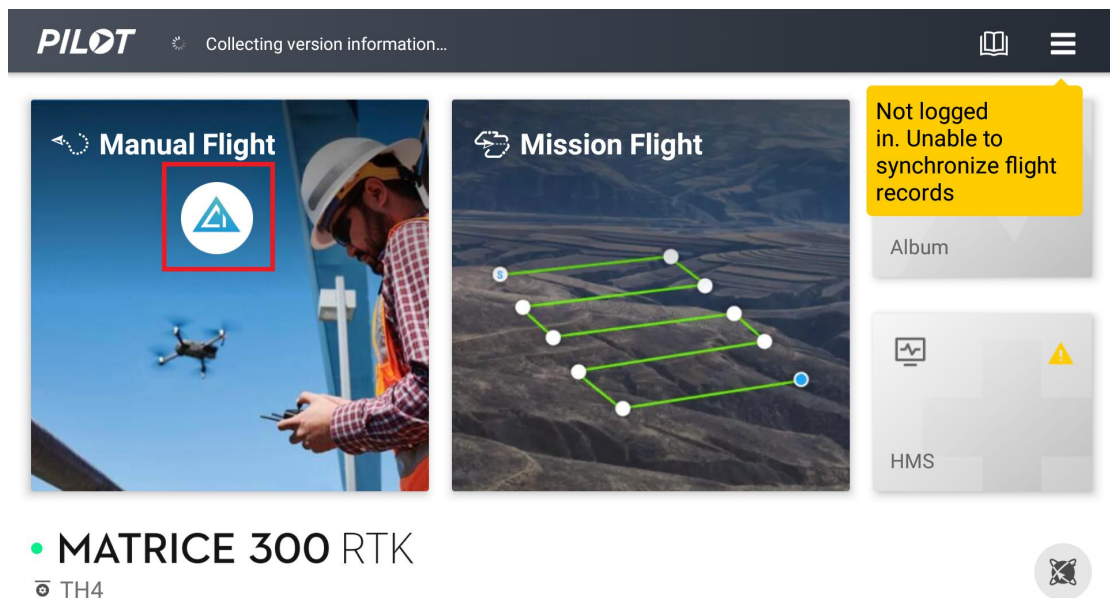
2. Allow to hover on the pilot

---

---



3. Click the floating window icon to pop up the floating window interface, and you can zoom out and close the floating window by pressing the close button in the upper right corner of the floating window.





① Unlock/lock status prompt

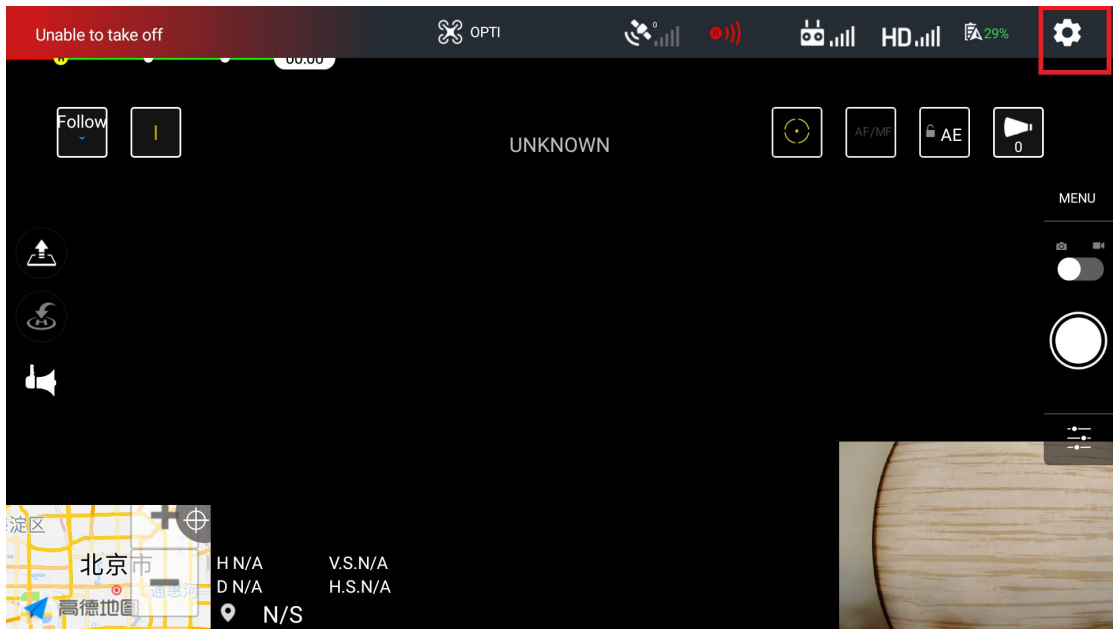
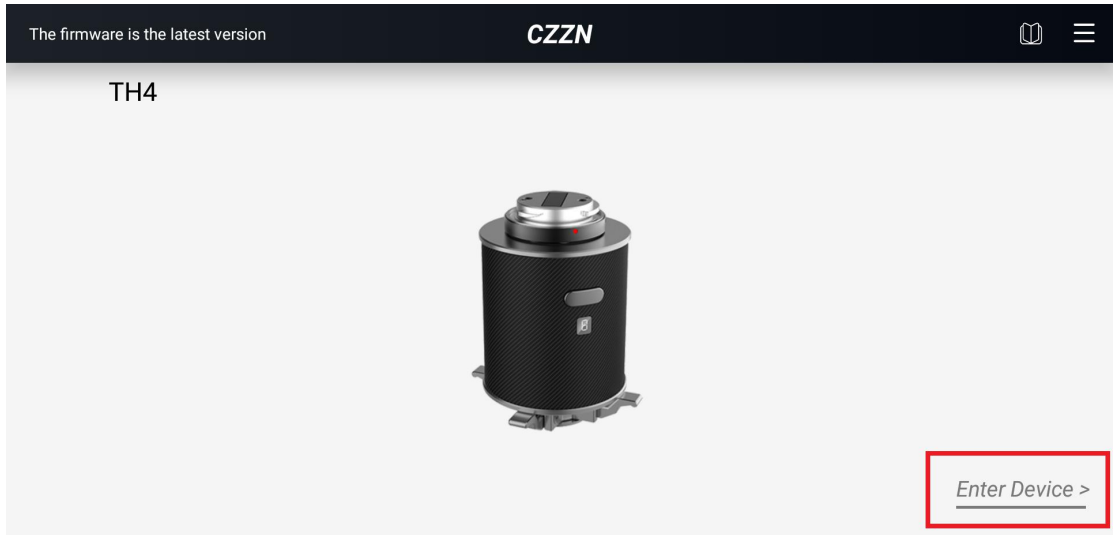
② Four throwing hook status prompts

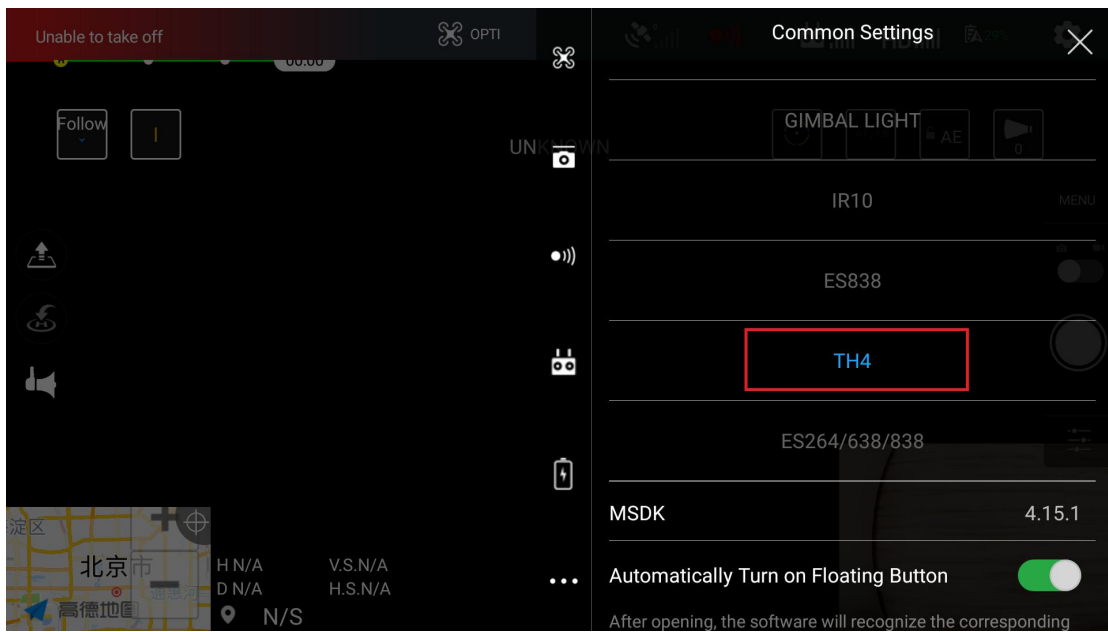
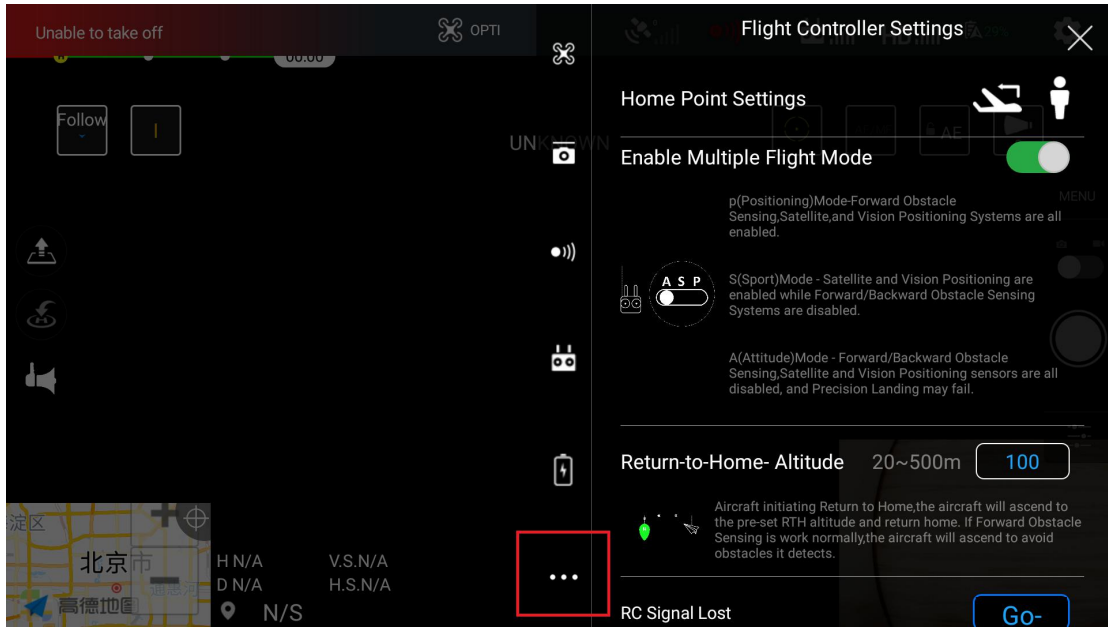
③ Unlock/Lock

④ throw

4. Click the "Unlock/Lock" button to unlock, and then click the "Drop" button to make a bet.

5. Click the red frame button of the picture in turn to open the TH4 floating window in CZZN.

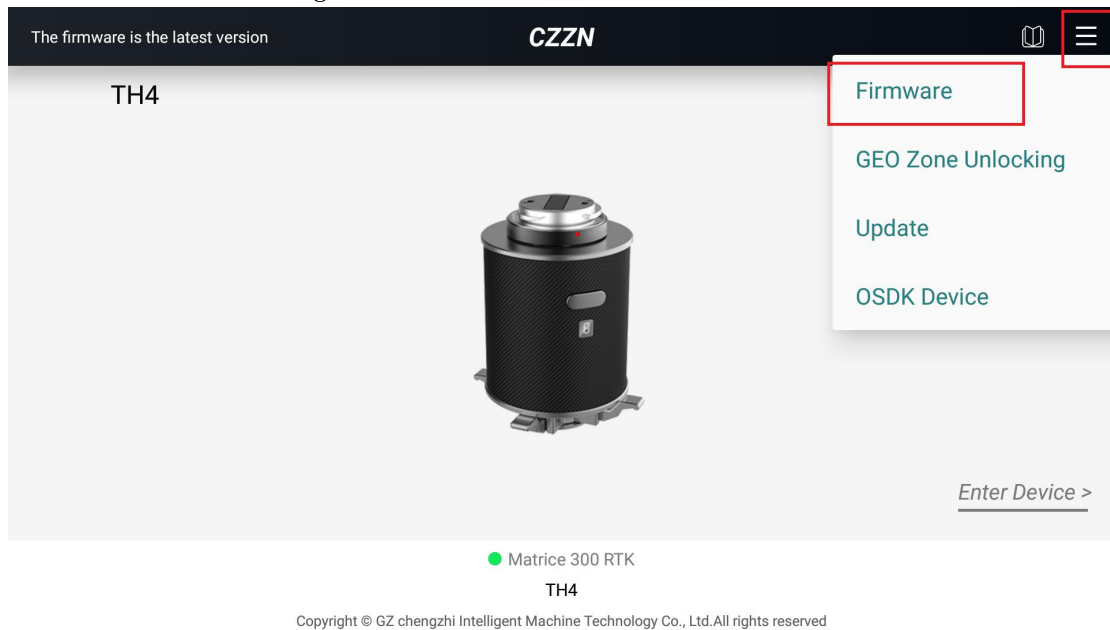




## 5. Firmware upgrade

### 1. Use CZZN to upgrade online.

1、Open the CZZN software, click the menu button on the upper right, and click Firmware Management.

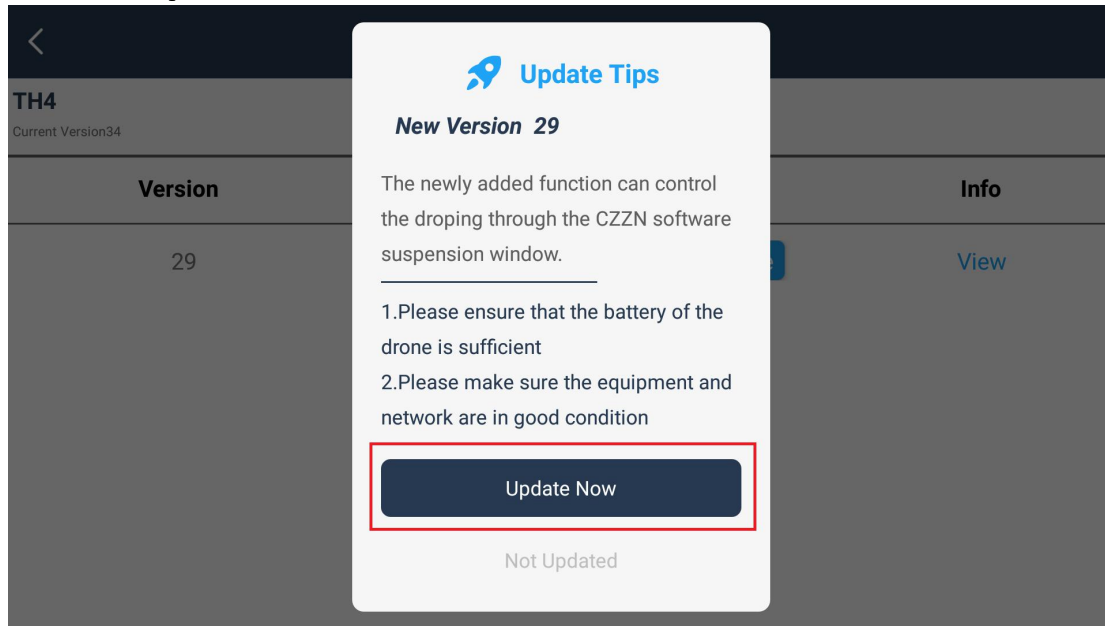


2、Enter the firmware management interface, find the latest firmware version, and click Refresh or Upgrade.

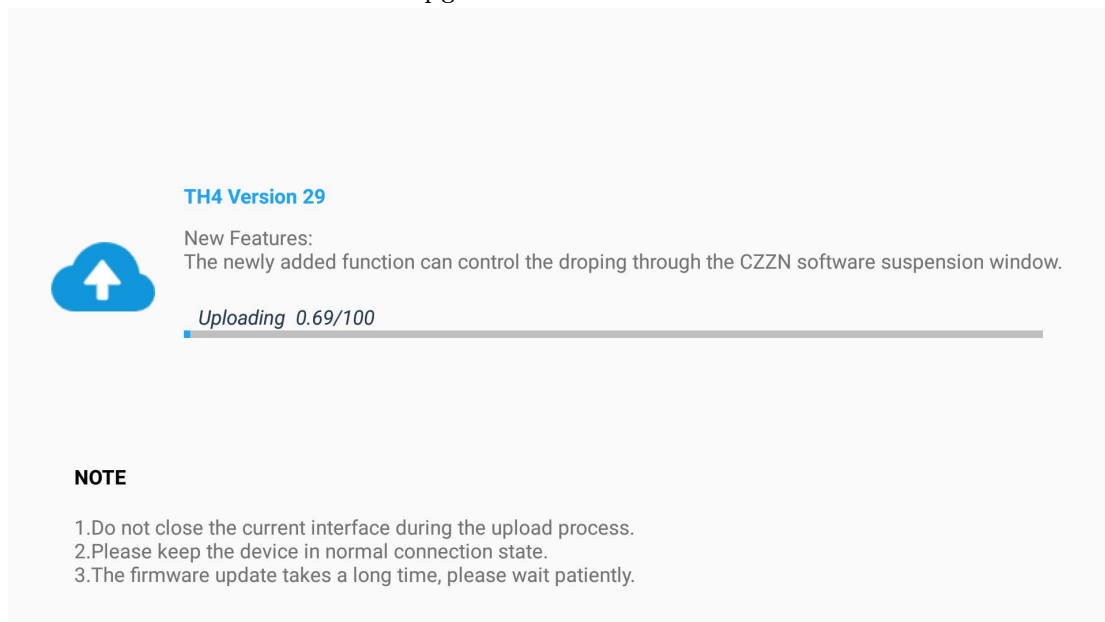
The screenshot shows the "Firmware Update" interface. At the top, a dark blue header bar contains a back arrow on the left and the text "Firmware Update" in the center. Below the header, the text "TH4" and "Current Version34" is displayed. A table with four columns: "Version", "Date", "Operation", and "Info" is shown. The table contains one row with the following data: Version: 29, Date: 2021-07-12, Operation: Downgrade (highlighted with a red box), and Info: View.

Version	Date	Operation	Info
29	2021-07-12	Downgrade	View

3、Click Update Now.

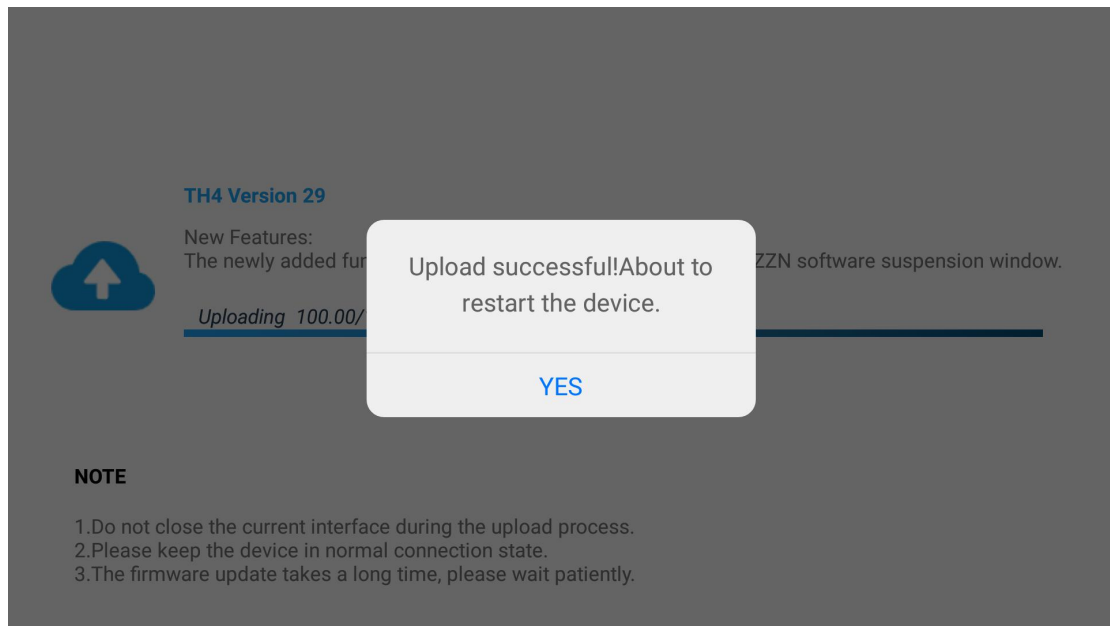


4、Wait for the firmware upgrade to succeed.



5. The firmware upgrade is successful, click OK to restart the dropper.





6. Go to the official website of Chengzhi to download the TH4 firmware to the root directory of the TF card to upgrade.

ChengZhi Technical Support

[www.gzczzn.com](http://www.gzczzn.com)

If you have any questions or suggestions regarding the manual, please contact us at:

[dennispan@gzczzn.com](mailto:dennispan@gzczzn.com), [oliviali@gzczzn.com](mailto:oliviali@gzczzn.com)

---

---